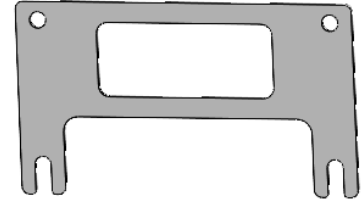
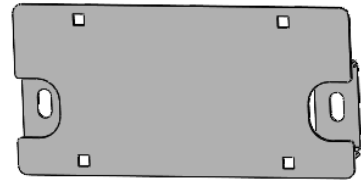


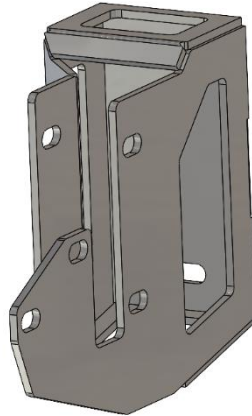
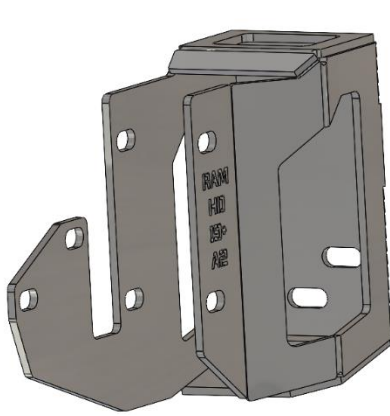
**Driver and Passenger Truck
Mounts 2500/3500**



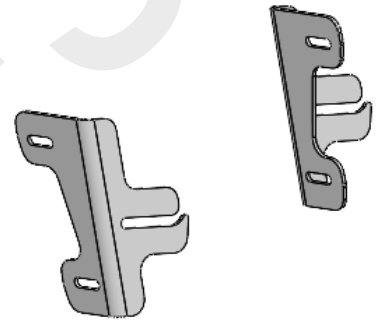
License Plate Bracket



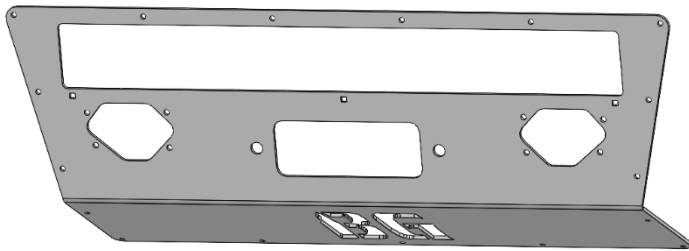
**Winch Mount License Plate
Bracket Offset**



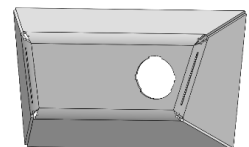
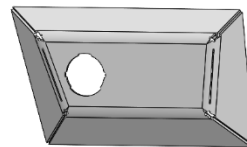
**Driver and Passenger Truck
Mounts 4500/5500**



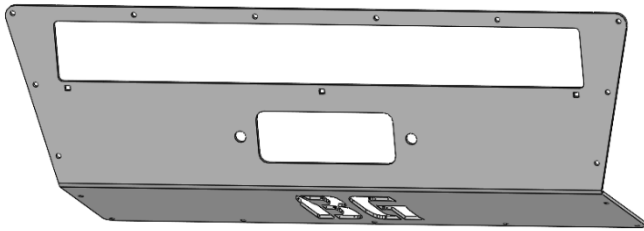
Driver and Passenger Light Bar Mounts



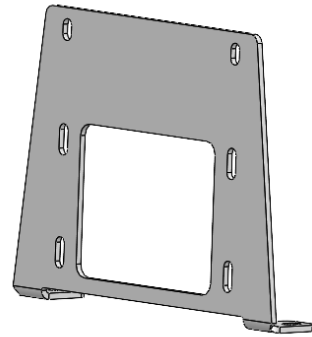
Skid Plate w/ Sensors



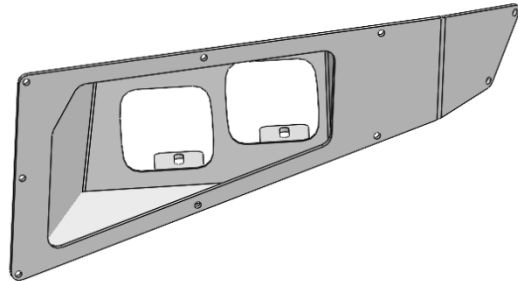
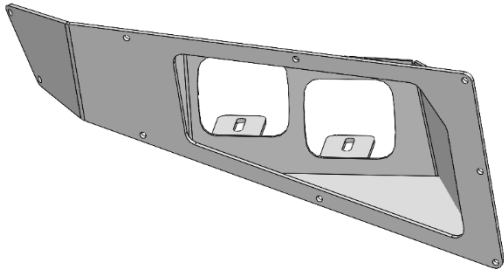
**Driver and Passenger
Sensor Pods**



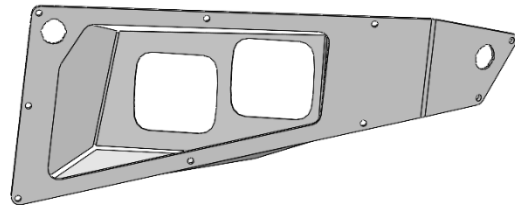
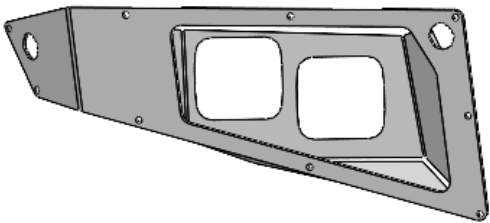
Skid Plate w/out Sensors



Front Mount Winch Plate



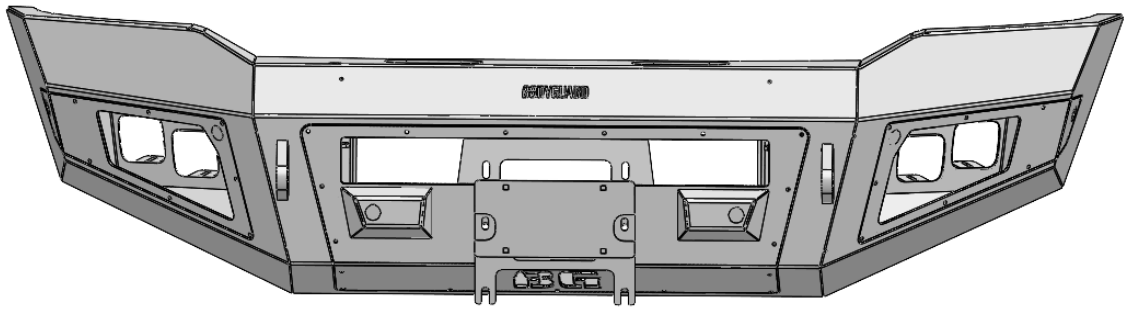
Driver and Passenger Fog Light Buckets (No Sensors)



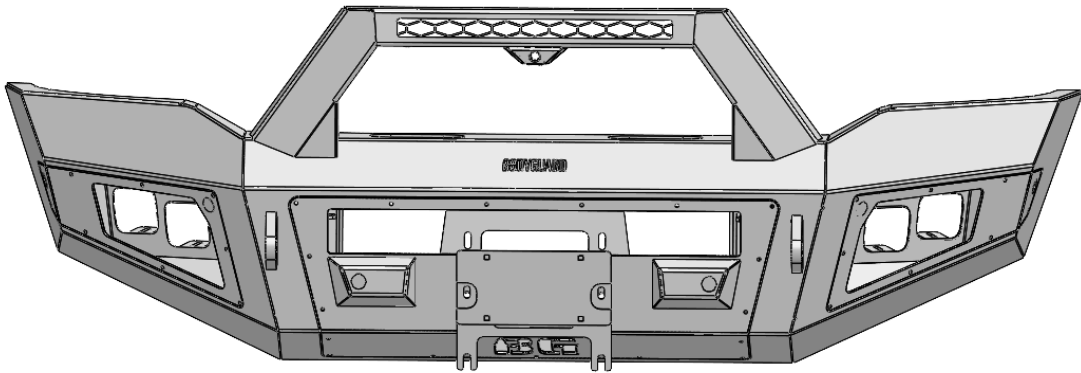
Driver and Passenger Fog Light Buckets (With Sensors)

HARDWARE KIT

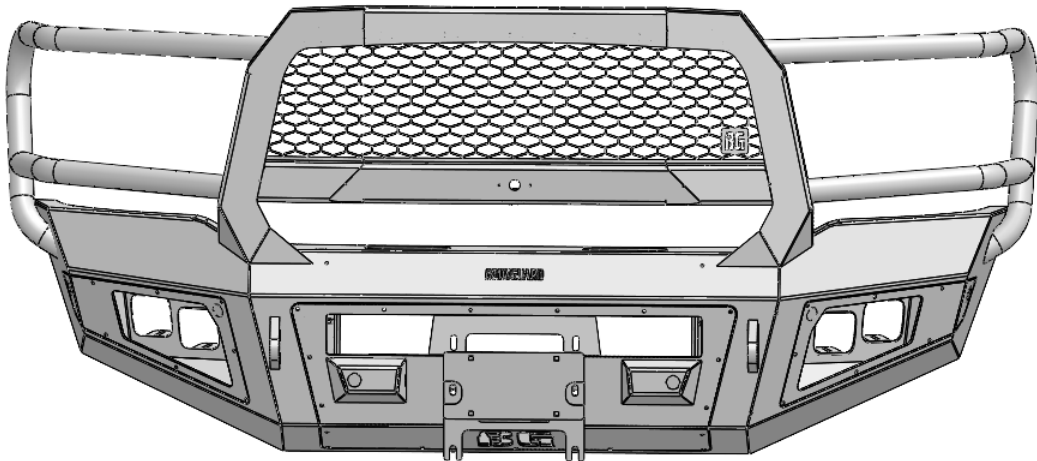
<u>A2 Front License Plate</u>	<u>Qty:</u>
M8-1.25 x 25mm Long Grade 8.8 Hex Bolt	2
M8x1.25 Zinc Grade 8.8 Serrated Hex Flange Nut	2
Plastic License Plate Nuts	4
#14 x 5/8" Zinc License Plate Screw	4
5/16" Zinc Grade 5 Flat Washer	4
<u>A2 Front Center Section</u>	<u>Qty</u>
1/4-20 x 5/8 Long, Stainless Steel SBHCS	23
1/4-20 x 3/4 Long, Stainless Steel SBHCS	4
1/4-20 Hex Grade 5 Serrated Flange Nut, Stainless Steel	6
1/4-20 (.093-.126: Panel Range) Zinc Electroplate Spring Steel Cage Nut	21
<u>A2 Front Formed Sport Bar</u>	<u>Qty</u>
1/4-20 x 5/8 Long, Stainless Steel SBHCS	6
1/4-20 Hex Grade 5 Serrated Flange Nut, Stainless Steel	4
1/4-20 (.093-.126: Panel Range) Zinc Electroplate Spring Steel Cage Nut	2
<u>A2 Front Fog Light Assembly</u>	<u>Qty:</u>
1/4-20 x 5/8 Long, Stainless Steel SBHCS	20
1/4-20 (.093-.126: Panel Range) Zinc Electroplate Spring Steel Cage Nut	20
<u>A2 Front Winch Mount</u>	<u>Qty:</u>
3/8"-16 x 1" Yellow Zinc Grade 8 Hex Bolt	4
3/8" Yellow Zinc Grade 8 Flat Washer	8
3/8"-16 Zinc Grade 8 Serrated Hex Flange Nut	4
<u>A2 Front Mount 19-24 RAM</u>	<u>Qty:</u>
1/2"-13 x 1-1/2" Long, Grade 8 HB, Zinc Double Bolt (1.75")	4
1/2"-13 x 4" Yellow Zinc Grade 8 Hex Bolt	4
1/2" Washer, Grade 8 Zinc-Yellow	16
1/2"-13 Grade 8 Steel Serrated Flange Nut Zinc	12
1/4-20 x 5/8 Long, Stainless Steel SBHCS	4
1/4-20 Hex Grade 5 Serrated Flange Nut, Stainless Steel	4
6MH8 3RXF AB-001 #10 - Sensor Bezel	3
6829 5601 AC #10 - Retainer Clip	3
6MH8 2RXF AB-001 #9 – Sensor Bezel	3
6829 5600 AC #9 – Retainer Clip	3
<u>A2 EXTREME Guard</u>	<u>Qty:</u>
1/4-20 x 5/8 Long, Stainless Steel SBHCS	8
1/4-20 Hex Grade 5 Serrated Flange Nut, Stainless Steel	8
Camera Plug 9691 21mm	1



Base

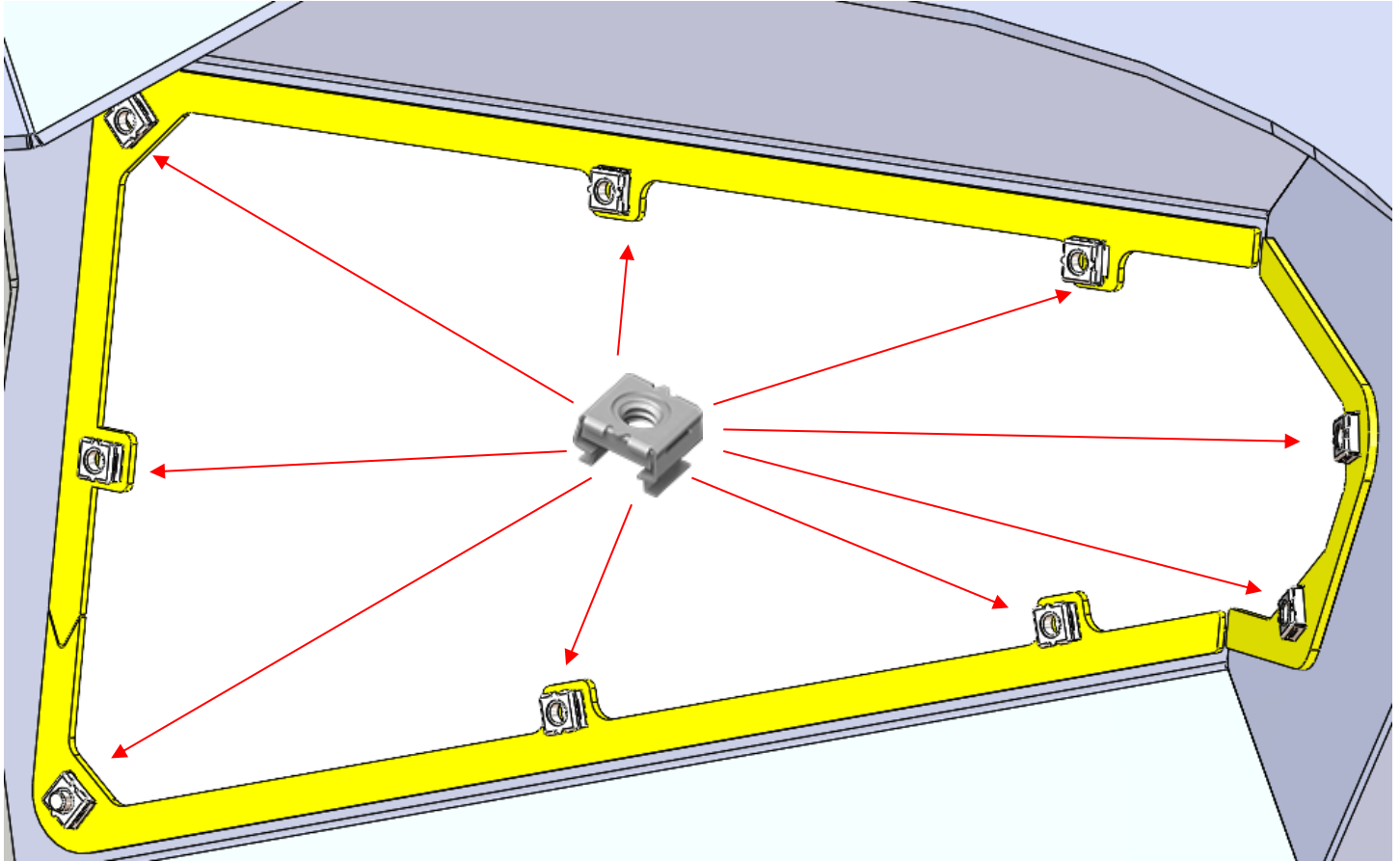


Sport

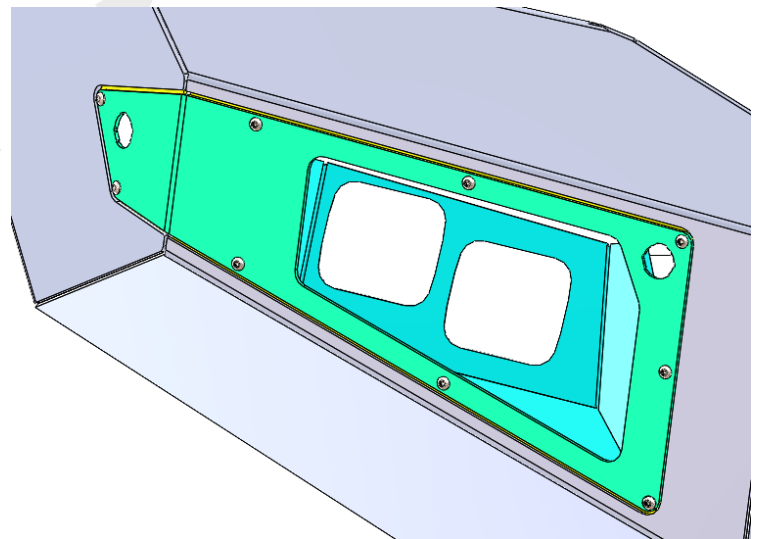


Extreme

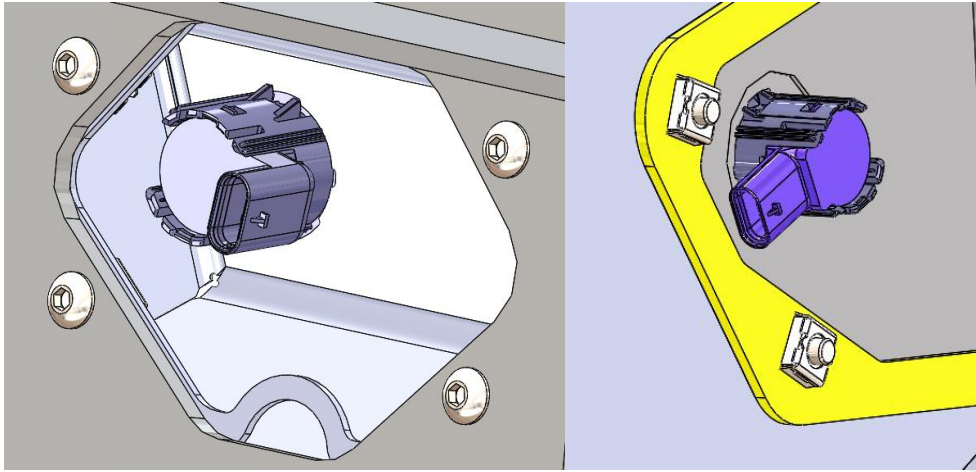
FOG LIGHT BUCKET INSTALL



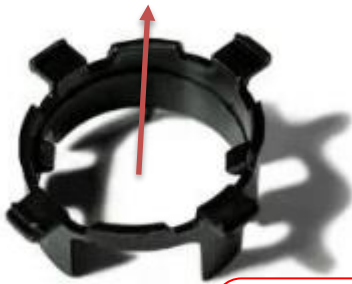
1. Insert (9) cage nuts into the weld-in fog light trim ring as shown. (per side)
2. Insert the fog light bucket through the front opening of the bumper and use (9) 1/4-20 x 5/8 Long, Stainless Steel SBHCS to secure the front plate to the trim ring (yellow)



PARKING SENSOR INSTALL

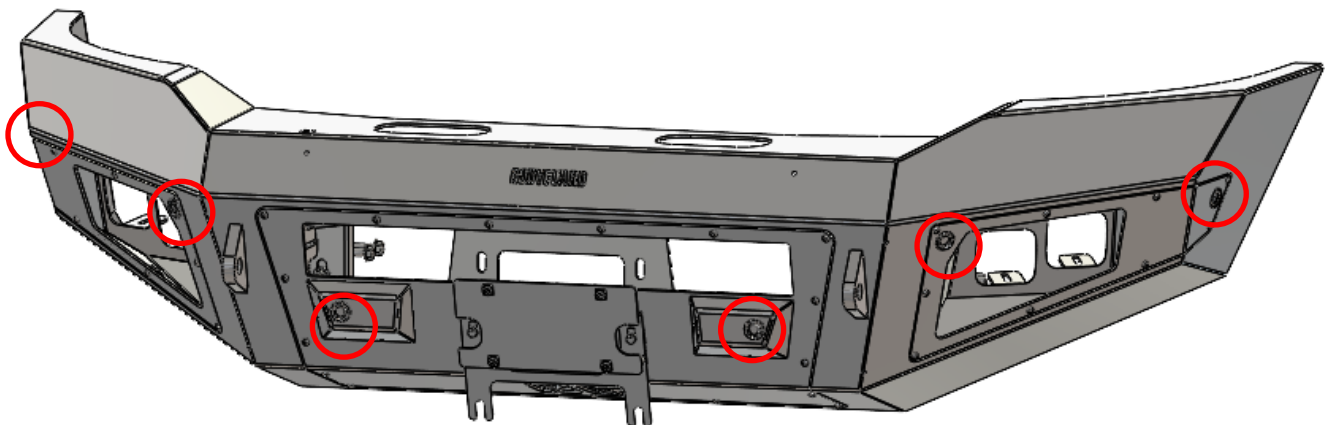
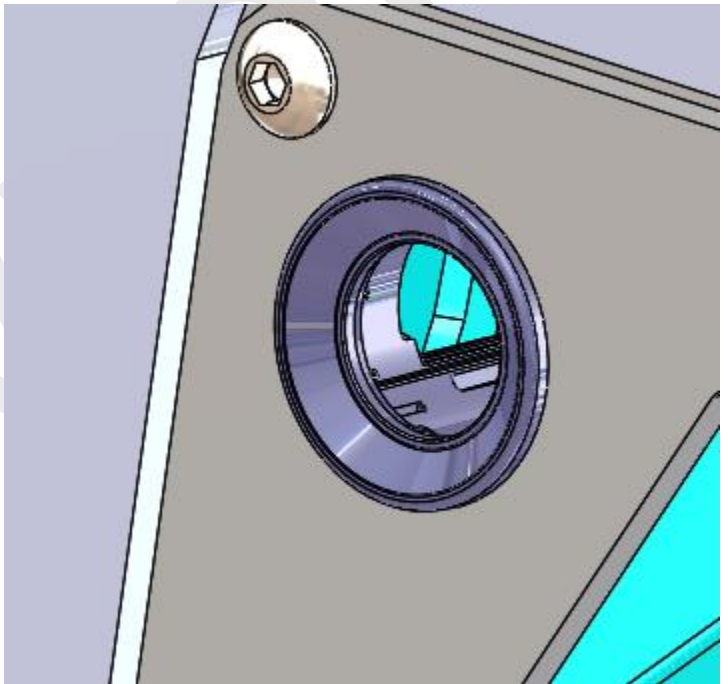


1. Use the included sensor bezels and retainer clips to install the factory sensors. First place the bezel through the front side of the bumper.
2. From the rear of the bumper install the retainer clip to secure the bezel in place.

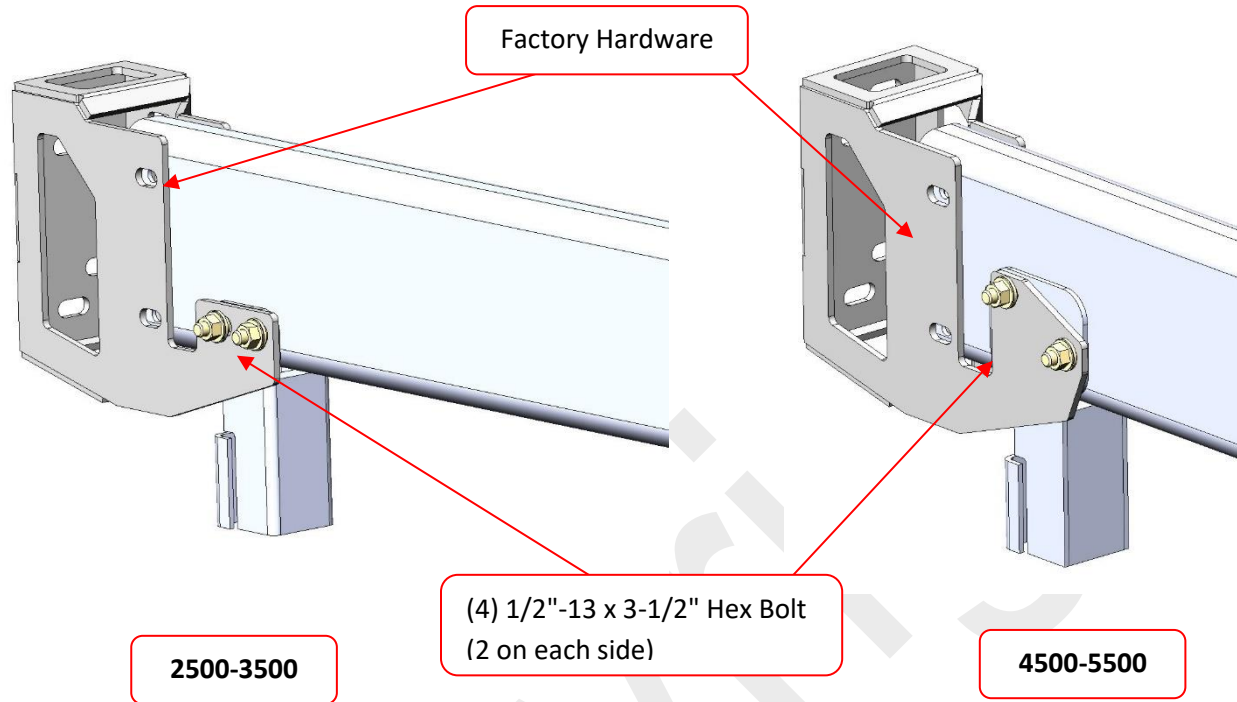


Retainer Clip
(arrow shows
front-facing side)

3. Once bezel is secure install sensor from rear side of bumper and connect to wiring harness.

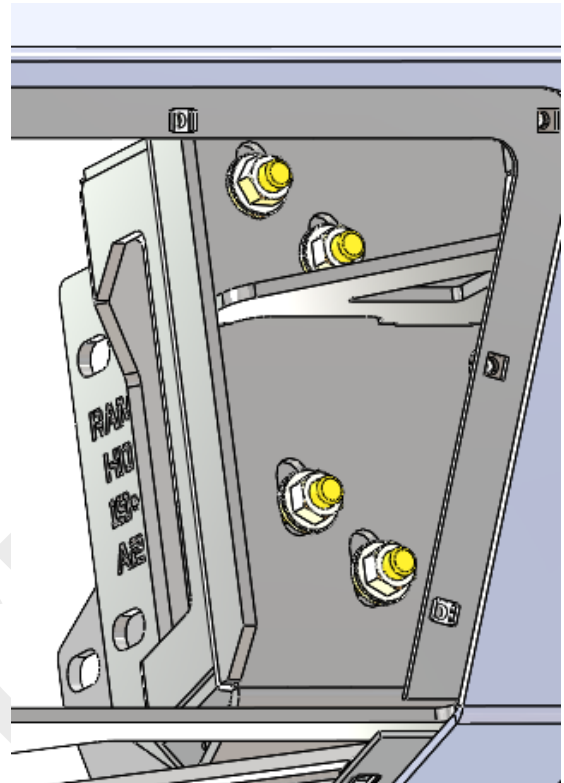
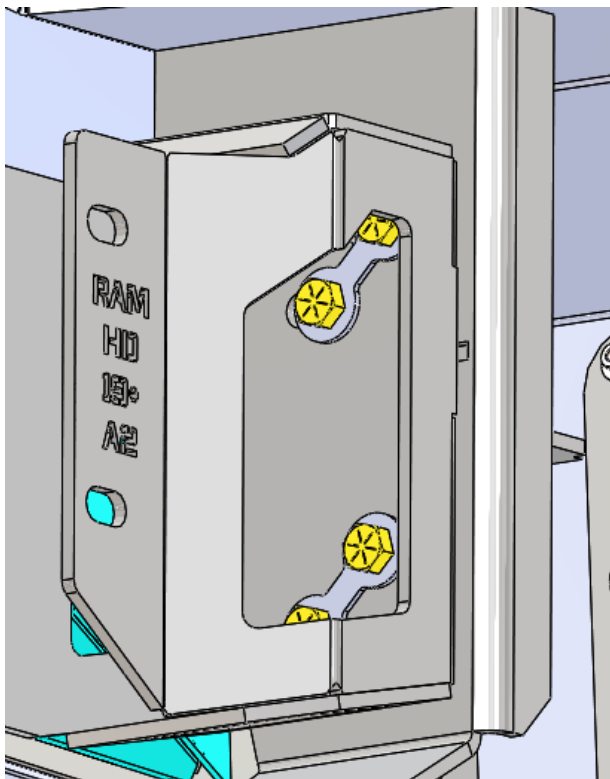


BUMPER MOUNT INSTALL



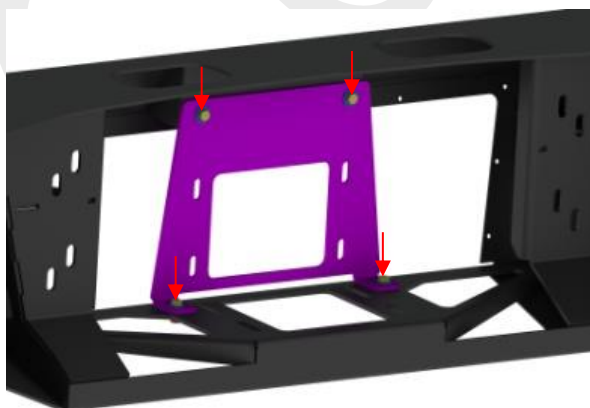
1. Install the mounts on the truck. The mounts will reuse the factory hardware and used the supplied (4) 1/2"-13 x 3-1/2" Hex Bolts, washers and hex nuts. As shown in the illustrations above. **NOTE: the bumper mounts for the 2500-3500 and 4500-5500 are slightly different due to bolt hole placements on the corresponding frames.**

BUMPER INSTALL



1. On each of the two mounts (Driver side shown), install the included $4 \times 1/2$ "-13 x 1-1/2" Long, **Grade 8 HB, Zinc Double Bolt (1.75")** from the back side of the mount.
2. Using the included hex nuts and washers secure the bumper to the truck from the front facing side of the mount plate.

FRONT MOUNT WINCH INSTALL



Use (4) $3/8$ "-16 x 1" Yellow Zinc Grade 8 Hex Bolt

NOTE: Foot Down only winch installs will not require the use of this bracket. Most small frame winches will allow light bar installation.

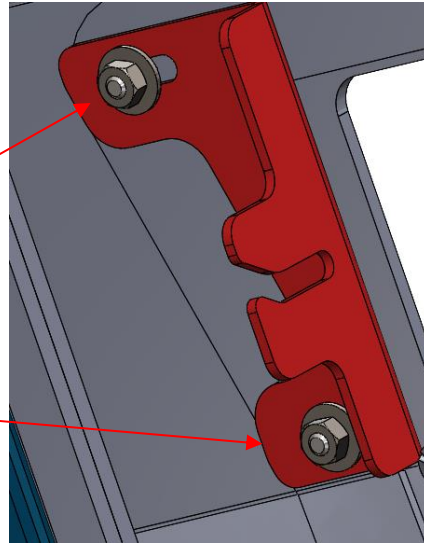
LIGHT BAR BRACKET INSTALL



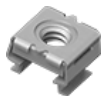
(2) - 1/4-20 x 3/4 Long, Stainless Steel SBHCS



(2) - 1/4-20 Hex Grade 5 Serrated Flange Nut, Stainless Steel and washers.



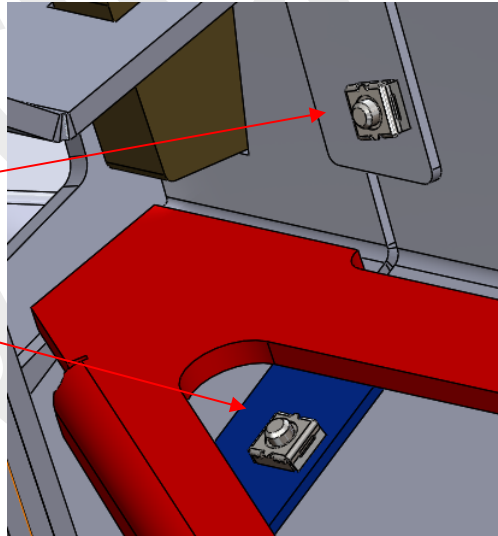
CENTER SECTION INSTALL



(13) - 1/4-20 (.093-.126: Panel Range) Zinc Electroplate Spring Steel Cage Nut

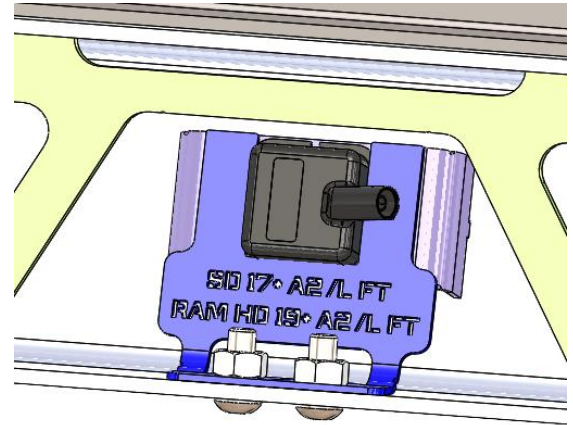


(13) - 1/4-20 x 5/8 Long, Stainless Steel SBHCS

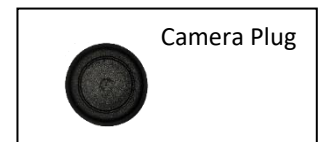
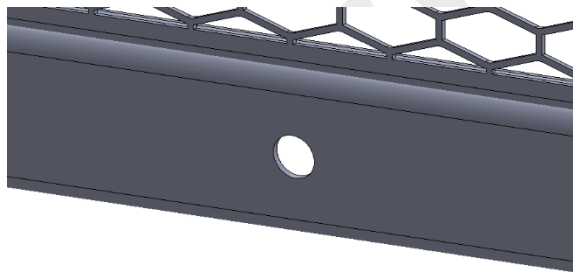


EXTREME BAR CAMERA INSTALL *(For optional extreme bar only)*

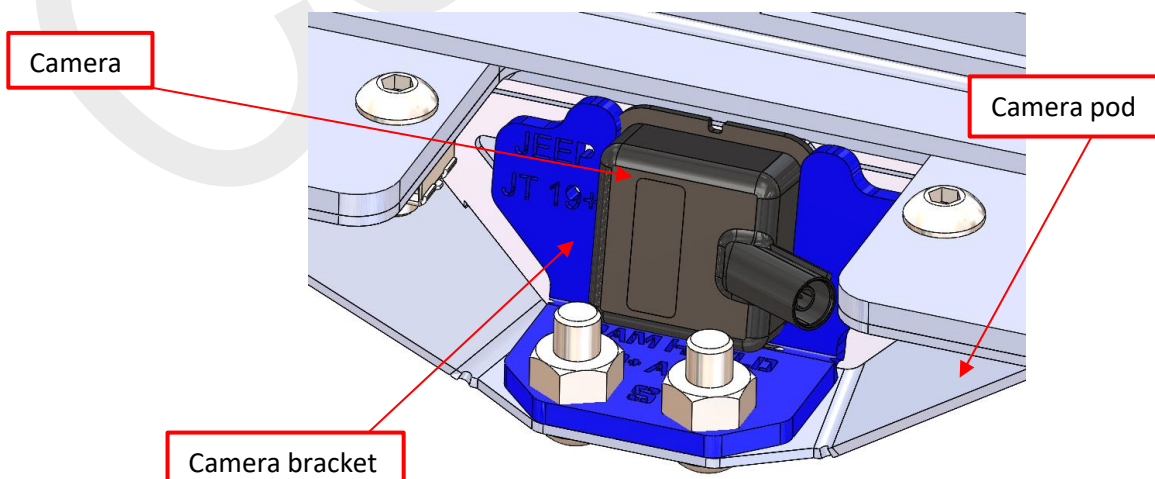
1. Place Camera into square spacer that is welded to the bumper. Then install the blue bracket with **(2) 1/4-20 x 5/8 Long, Stainless Steel SBHCS** behind the camera. This bracket will press the camera against the spacer securing the camera to the grille guard.



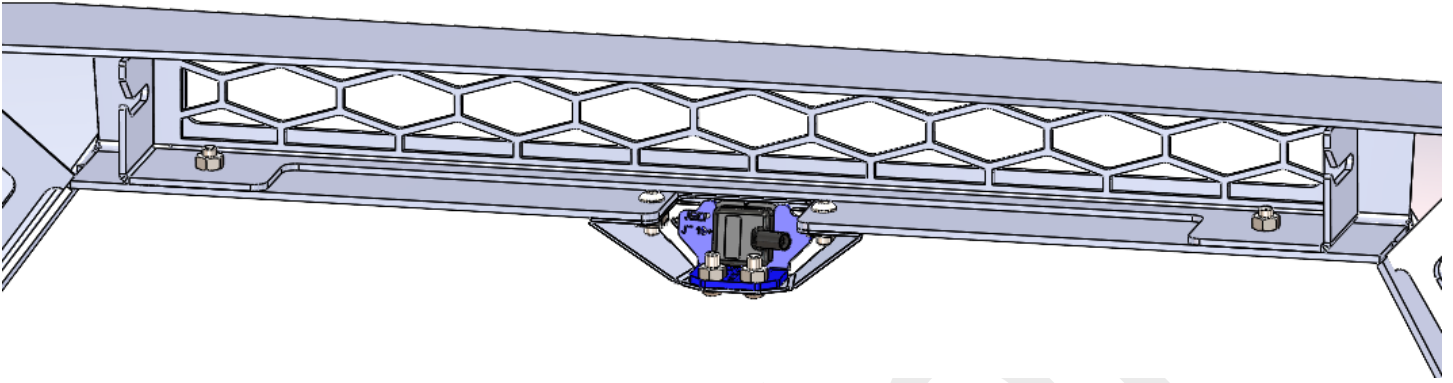
2. If you do not have a camera, we provide a camera hole plug that can be installed in the hole.



1. Install the camera pod to the sport bar using (2) 1/4"-20 cage nuts and (2) 1/4"-20 x 3/4" BHCS. Then install the camera into the pod and secure with the camera bracket using (2) 1/4"-20 BHCS and flange nuts.



2. Then install the sport bar mesh using 2x 1/4"-20 x 3/4" BHCS and flange nuts. Then install your light bar using the light bar brackets if applicable.



Copyright

SAFETY

THE SAFETY OF YOU AND OTHERS IS VERY IMPORTANT TO US!

To minimize this risk and make an informed decision about safety, it is important that you carefully read and follow the installation instructions we have provided.

We urge you to use your own good judgment and allow plenty of time for installation.

HAZARD CHECKLIST

1. Always wear personal protective equipment (PPE) such as: protective eye wear, gloves, close toed shoes, etc.
2. We recommend that you use a certified mechanic or shop for professional installation.
3. Always set emergency brakes on the vehicle and use tire blocks to ensure vehicle stabilization.
4. Use caution when lifting, we recommend the use of equipment to help lift bumpers into place.
5. Use caution when using power tools such as air ratchet, etc.
6. Take caution when installing wiring.
7. Perform regular inspections of hardware, bolts, brackets, etc.
8. Rigid light brackets are specifically designed to fit Rigid lights, we do not guarantee off brand fitment.
9. Our winch mount is designed for Warn and Superwinch products. We do not guarantee off-brand fitment.

USE & RISK

Bodyguard Products LLC is not responsible for damage to our products, or other subsequent damage that might occur because of misuse or improper installation. While we do manufacture products that appear stronger than factory parts, our products should not be viewed or relied upon as life-saving devices in the event of a collision or rollover. We make no claims relating to airbag compatibility, crashworthiness, or sturdiness. It is the customer's responsibility to check with the vehicle manufacturer or auto dealer regarding airbag compatibility and automobile manufacturer's warranty before installing our products.

FINISHING UP

- Install shackles.
- Confirm that all hardware is tightened, and everything is secure.
- Secure wiring harnesses for lights and sensors.
- Test all lighting and wiring before using vehicle (fog lights, sensors, etc.).

MAINTENANCE

- Periodically check that all hardware is tightened and that all wiring and connections are secure.
- Periodically check that all sensor plugs are secure.
- Routinely wash bumper to maintain the powder coat finish.

FEEDBACK

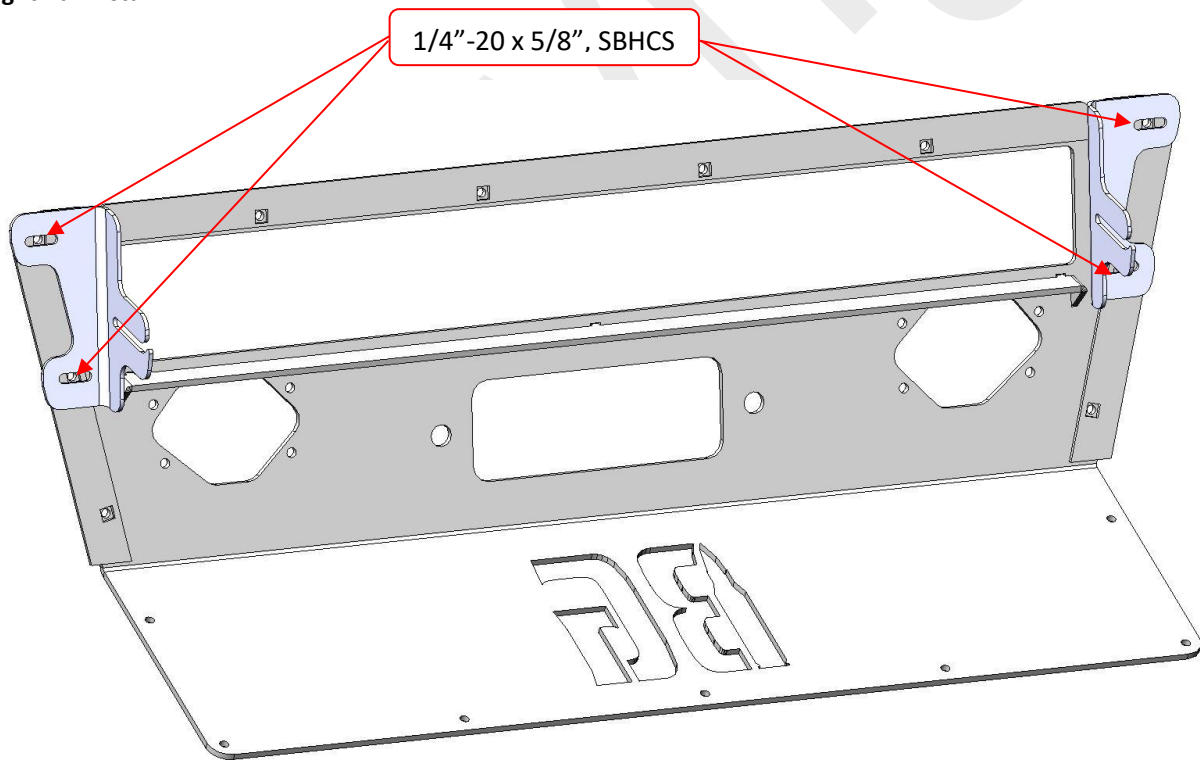
We'd love to hear from you!

Please send your pictures, testimonials, comments, or suggestions to us by email at info@bodyguardbumpers.com. We frequently use customer pictures for brochures and marketing materials, and we always welcome customer feedback to ensure quality improvements within our company. Thanks for your purchase; we appreciate your business very much!

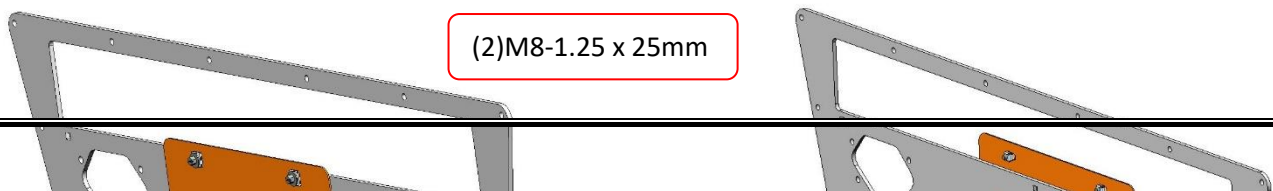
Where **STRENGTH** Meets *Style!*™

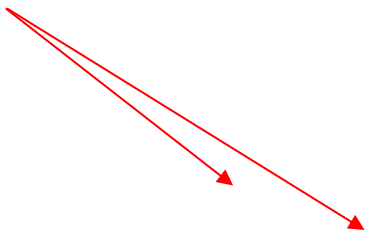
    @BodyguardBumpers

X. Light Bar Install



XI. License Plate Install





1. Install license plate bracket to skid plate using two M8-1.25 x 25mm Hex Bolts and its matching hardware.

XII. FINISHING UP

- Install shackles.
- Confirm that all hardware have been tightened and bumper is secure.
- Secure wiring harnesses for lights and sensors.
- Test all lighting and wiring before using vehicle (fog lights, sensors, etc.).

XIII. MAINTENANCE

- Frequently check that all hardware is tightened and that all wiring and connections are secure.

FEEDBACK

We'd love to hear from you! Please send your pictures, testimonials, comments, or suggestions to us by email at info@bodyguardbumpers.com. We frequently use customer pictures for brochures and marketing materials, and we always welcome customer feedback to ensure quality improvements within our company. Thanks for your purchase; we appreciate your business very much!

Where STRENGTH Meets *Style!*™